



EEI ≤ 0.23
Compliant with ecodesign - ErP
2009/125/EC Directive

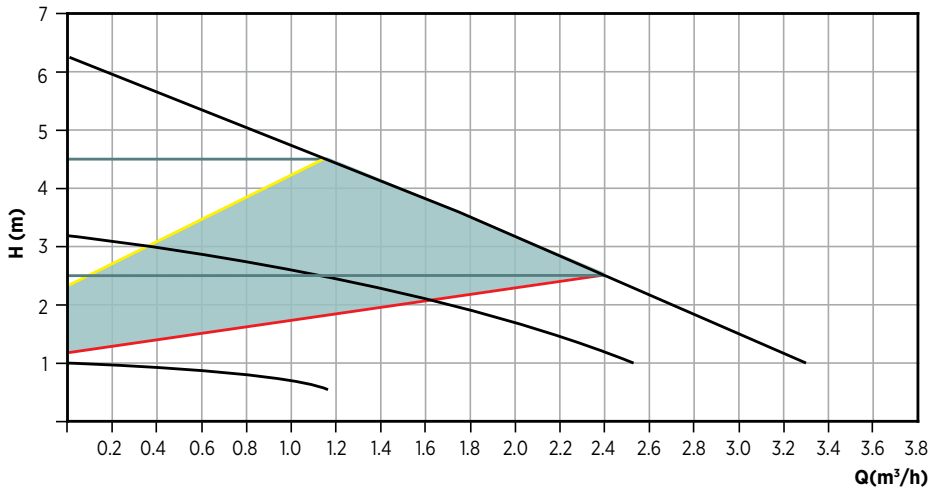
Frequency Controlled Circulation Pump ECP Series



FREQUENCY CONTROLLED CIRCULATING PUMP

ECP 25-6-130 SERIES

Performance Curve



Note: 1 (one) coupling connector kit is supplied in the package.

Fluid Temperature : From -10°C to +110°C

Fluid Quality : Suitable for use with clean, abrasive solid particle free, mild and chemically neutral water.

Material Specifications

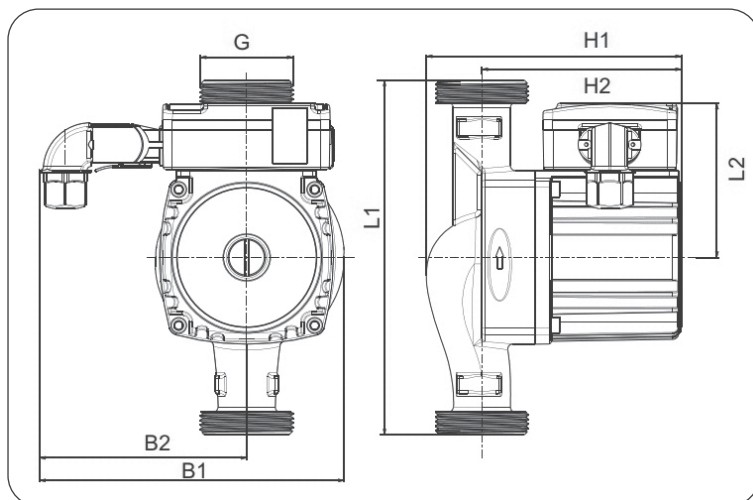
Bearing	: Ceramic
Bearing Bush	: Brass
Motor Casing	: Aluminum
Gasket	: Silicagel EPDM
Pump Casing	: Cast iron
Fan (Impeller)	: High temperature resistant composite material
Stainless Case	: AISI304
Protective Shield	: AISI304
Shaft	: Ceramic
Control Box	: Nylon + ABS

Pump Properties

Distance Between Couplings	: 130 mm
Electrical Connection	: Plug
Energy Efficiency (EEI) Value	: <= 0,23
Nominal Pressure	: PN 10
Pipe Connection	: Threaded Connection / G1 1/2-Rp1

Electrical Properties

Rated Power Input	: 45 watt
Current Rating	: 0.38A
Noise Levels	: <= 45 dB(A)
Protection Class	: IP 44
Electrical Supply	: 230 V - 50 Hz Single-phas



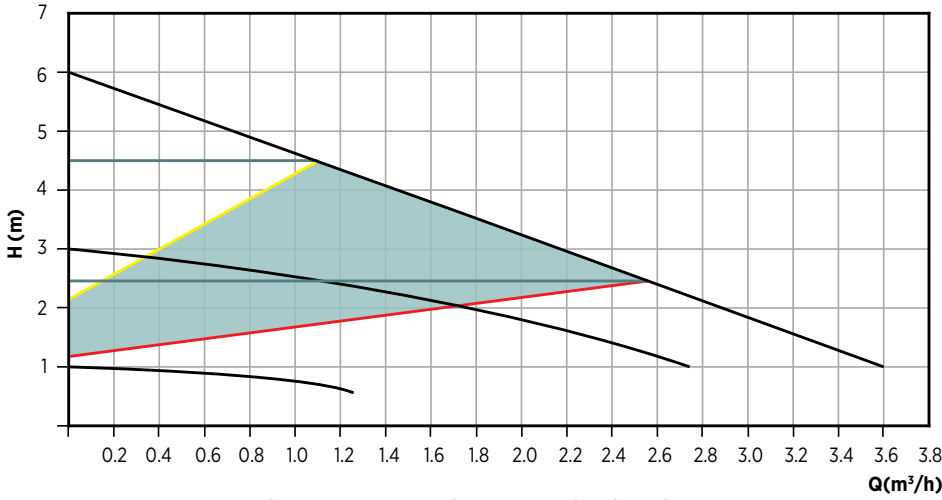
Dimensions

B1	: 155 mm
B2	: 105 mm
H1	: 129 mm
H2	: 101 mm
L1	: 130 mm
L2	: 80 mm
G	: 1 1/2"
Net Weight	: 2.3 kg

FREQUENCY CONTROLLED CIRCULATING PUMP ECP 25-6-180 SERIES



Performance Curve



Note: 1 (one) coupling connector kit is supplied in the package.

Fluid Temperature : From -10°C to +110°C

Fluid Quality : Suitable for use with clean, abrasive solid particle free, mild and chemically neutral water.

Material Specifications

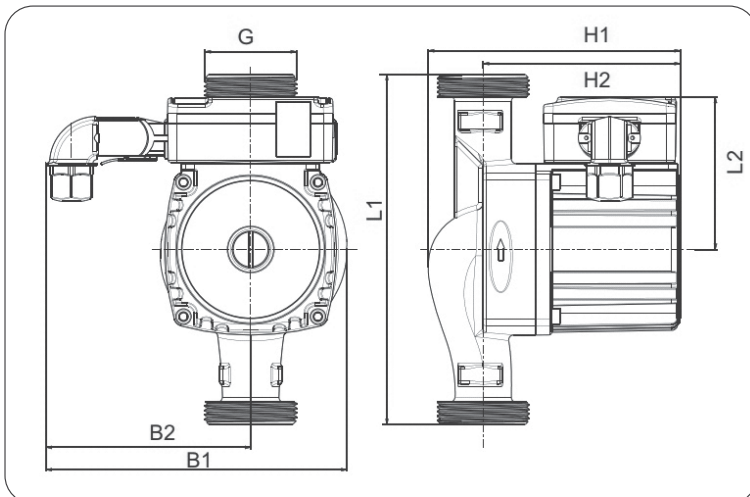
Bearing	: Ceramic
Bearing Bush	: Brass
Motor Casing	: Aluminum
Gasket	: Silicagel EPDM
Pump Casing	: Cast iron
Fan (Impeller)	: High temperature resistant composite material
Stainless Case	: AISI304
Protective Shield	: AISI304
Shaft	: Ceramic
Control Box	: Nylon + ABS

Pump Properties

Distance Between Couplings	: 180 mm
Electrical Connection	: Plug
Energy Efficiency (EEI) Value	: <= 0,23
Nominal Pressure	: PN 10
Pipe Connection	: Threaded Connection / G1 1/2-Rp1

Electrical Properties

Rated Power Input	: 45 watt
Current Rating	: 0.38A
Electrical Supply	: 230 V - 50 Hz Single-phase
Protection Class	: IP 44
Noise Levels	: <= 45 dB(A)

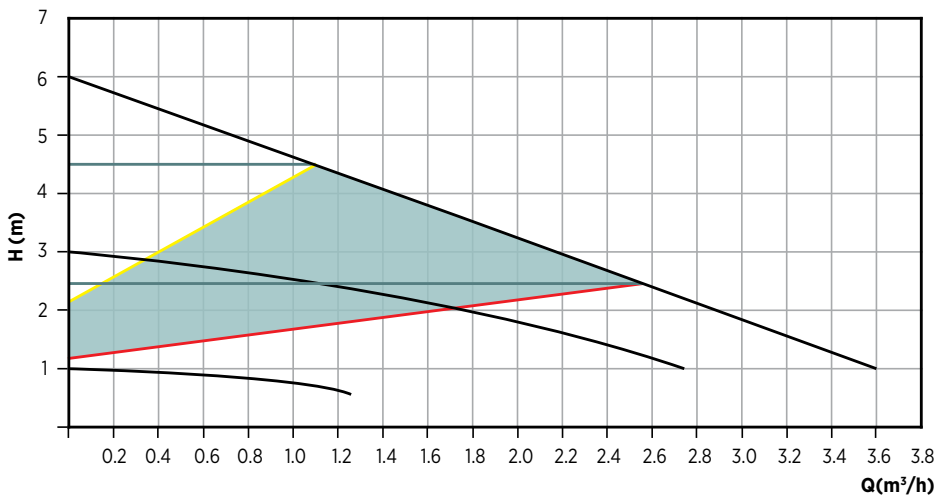


Dimensions

B1	: 155 mm
B2	: 105 mm
H1	: 129 mm
H2	: 101 mm
L1	: 180 mm
L2	: 80 mm
G	: 1 1/2"
Net Weight	: 2.3 kg

FREQUENCY CONTROLLED CIRCULATING PUMP ECP 25-6-180 BRONZE SERIES

Performance Curve



Note: 1 (one) coupling connector kit is supplied in the package.

Fluid Temperature : From -10°C to +110°C

Fluid Quality : Suitable for use with clean, abrasive solid particle free, mild and chemically neutral water.

Material Specifications

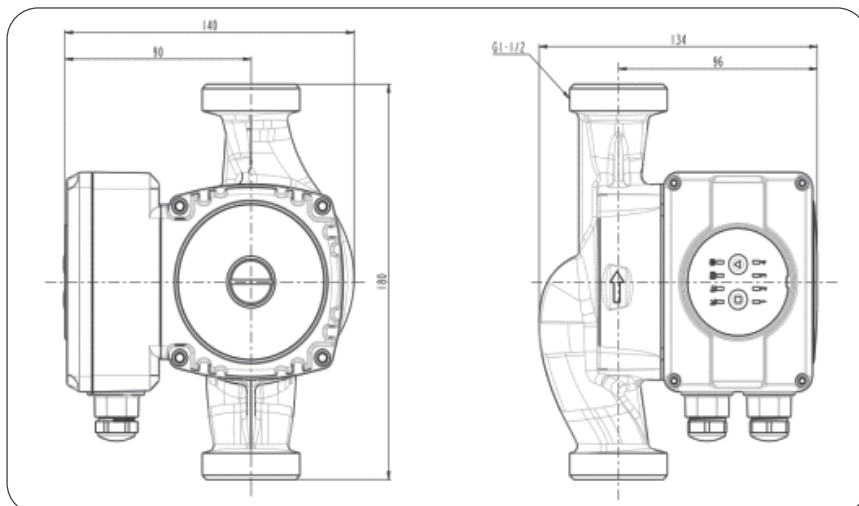
Bearing	: Ceramic
Bearing Bush	: Brass
Motor Casing	: Aluminum
Gasket	: Silicagel EPDM
Pump Casing	: Bronze
Fan (Impeller)	: High temperature resistant composite material
Stainless Case	: AISI304
Protective Shield	: AISI304
Shaft	: Ceramic
Control Box	: Nylon + ABS

Pump Properties

Distance Between Couplings	: 180 mm
Electrical Connection	: Plug
Energy Efficiency (EEI) Value	: <= 0,23
Nominal Pressure	: PN 10
Pipe Connection	: Threaded Connection / G1 1/2-Rp1

Electrical Properties

Rated Power Input	: 45 watt
Current Rating	: 0.38A
Electrical Supply	: 230 V - 50 Hz Single-phase
Protection Class	: IP 44
Noise Levels	: <= 45 dB(A)



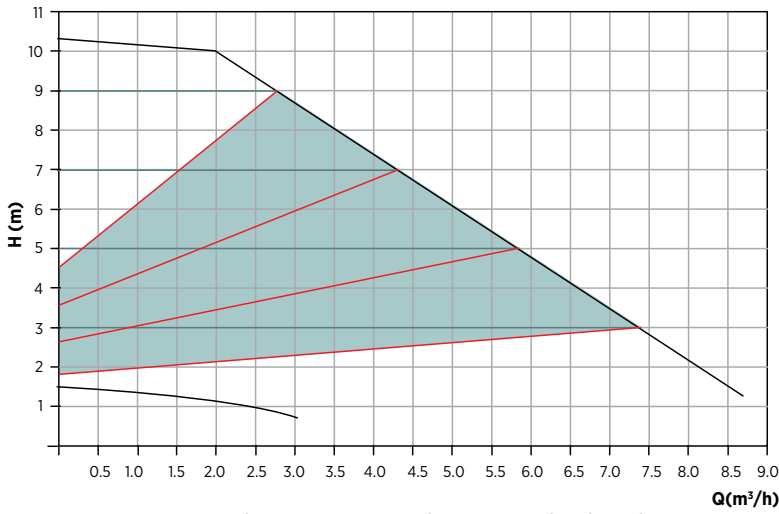
Dimensions

B1	: 140 mm
B2	: 90 mm
H1	: 134 mm
H2	: 96 mm
L1	: 180 mm
L2	: 90 mm
G	: G1 1/2"
Net Weight	: 2.3 kg

FREQUENCY CONTROLLED CIRCULATING PUMP ECP 32-10-180 & ECP 25-10-180 SERIES



Performance Curve



Note: 1 (one) coupling connector kit is supplied in the package.

Fluid Temperature : From -10°C to +110°C

Fluid Quality : Suitable for use with clean, abrasive solid particle free, mild and chemically neutral water.

Material Specifications

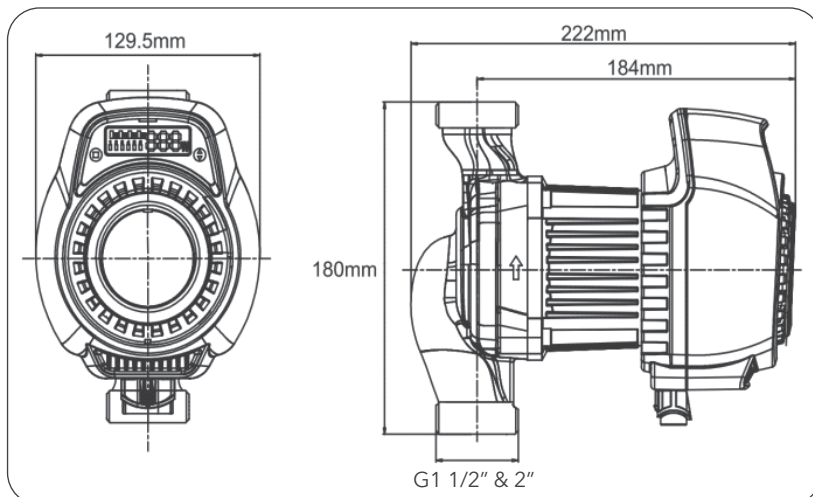
Bearing	: Ceramic
Bearing Bush	: Brass
Motor Casing	: Aluminum
Gasket	: Silicagel EPDM
Pump Casing	: Cast iron
Fan (Impeller)	: High temperature resistant composite material
Stainless Case	: AISI304
Protective Shield	: AISI304
Shaft	: Ceramic
Control Box	: Nylon + ABS

Pump Properties

Distance Between Couplings	: 180 mm
Electrical Connection	: Plug
Energy Efficiency (EEI) Value	: <= 0,23
Nominal Pressure	: PN 10
Pipe Connection	: Threaded Connection / G1 1/2-Rp1

Electrical Properties

Rated Power Input	: 140 watt
Current Rating	: 0.98A
Electrical Supply	: 230 V - 50 Hz Single-phase
Protection Class	: IP 44
Noise Levels	: <= 45 dB(A)

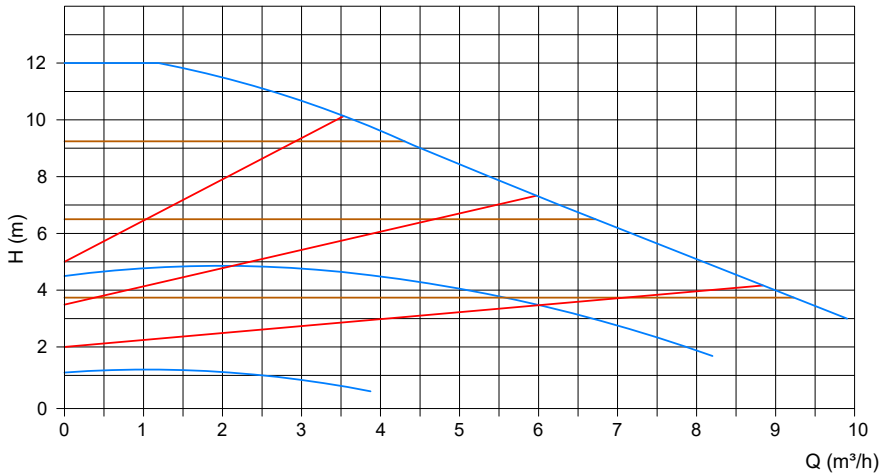


Dimensions

B1	: 129.5 mm
H1	: 220 mm
H2	: 184 mm
L1	: 180 mm
G	: G1 1/2" & 2"
Net Weight	: 3.4 kg

FREQUENCY CONTROLLED CIRCULATING PUMP ECP 32-12-180 SERIES

Performance Curve



Note: 1 (one) coupling connector kit is supplied in the package.

Fluid Temperature : From -10°C to +110°C

Fluid Quality : Suitable for use with clean, abrasive solid particle free, mild and chemically neutral water.

Material Specifications

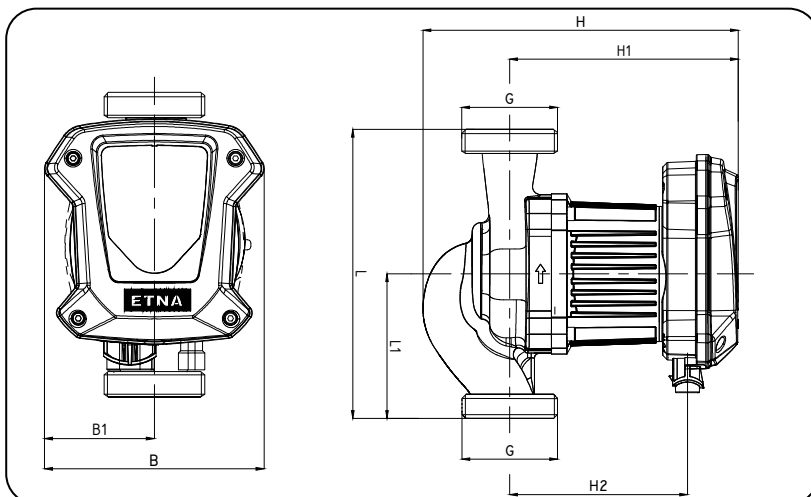
Bearing	: Ceramic
Bearing Bush	: Brass
Motor Casing	: Aluminum
Gasket	: Silicagel EPDM
Pump Casing	: Cast iron
Fan (Impeller)	: High temperature resistant composite material
Stainless Case	: AISI304
Protective Shield	: AISI304
Shaft	: Ceramic
Control Box	: Nylon + ABS

Pump Properties

Distance Between Couplings	: 180 mm
Electrical Connection	: Plug
Energy Efficiency (EEI) Value	: <= 0,23
Nominal Pressure	: PN 10
Pipe Connection	: Threaded Connection / G1 1/2-Rp1

Electrical Properties

Rated Power Input	: 220 watt
Current Rating	: 0.84A
Electrical Supply	: 230 V - 50 Hz Single-phase
Protection Class	: IP 44
Noise Levels	: <= 45 dB(A)



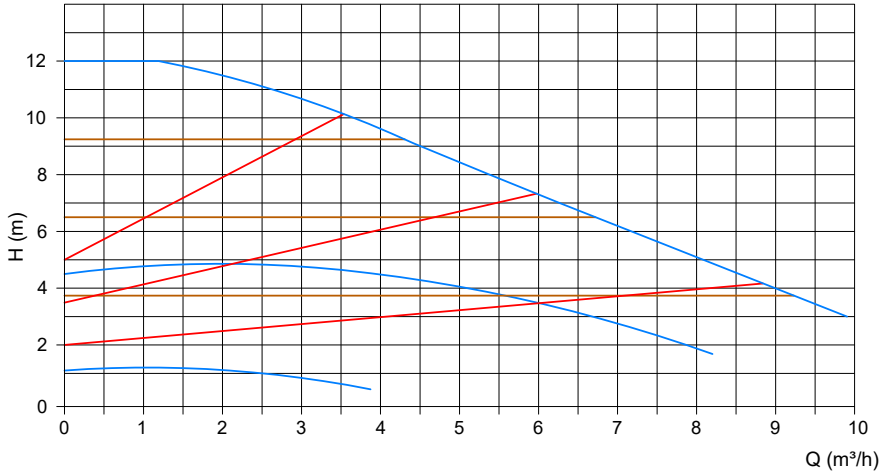
Dimensions

G	: 2"
L	: 180
L1	: 90
B	: 130
B1	: 65
H	: 196
H1	: 142
H2	: 110,5
Net Weight	: 3.5 kg

FREQUENCY CONTROLLED CIRCULATING PUMP ECP 32-12-180 STAINLESS STEEL SERIES



Performance Curve



Note: 1 (one) coupling connector kit is supplied in the package.

Fluid Temperature : From -10°C to +110°C

Fluid Quality : Suitable for use with clean, abrasive solid particle free, mild and chemically neutral water.

Material Specifications

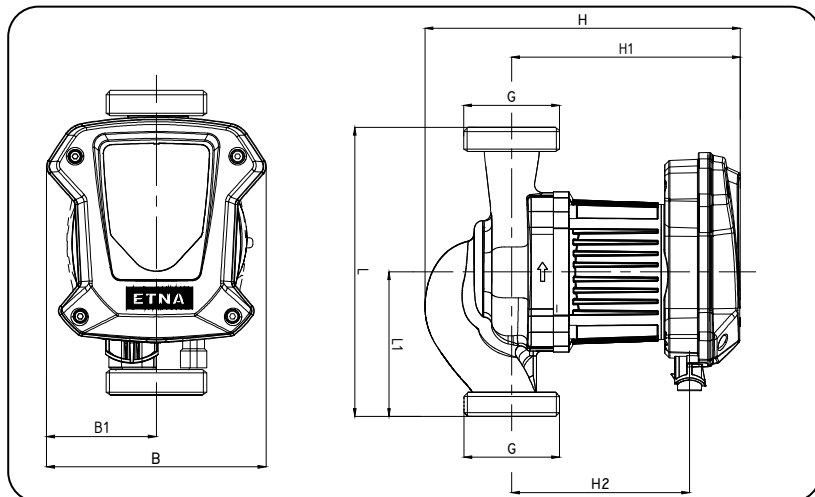
Bearing	: Ceramic
Bearing Bush	: Brass
Motor Casing	: Aluminum
Gasket	: Silicagel EPDM
Pump Casing	: Stainless Steel
Fan (Impeller)	: High temperature resistant composite material
Stainless Case	: AISI304
Protective Shield	: AISI304
Shaft	: Ceramic
Control Box	: Nylon + ABS

Pump Properties

Distance Between Couplings	: 180 mm
Electrical Connection	: Plug
Energy Efficiency (EEI) Value	: <= 0,23
Nominal Pressure	: PN 10
Pipe Connection	: Threaded Connection / G1 1/2-Rp1

Electrical Properties

Rated Power Input	: 220 watt
Current Rating	: 0.84A
Electrical Supply	: 230 V - 50 Hz Single-phase
Protection Class	: IP 44
Noise Levels	: <= 45 dB(A)

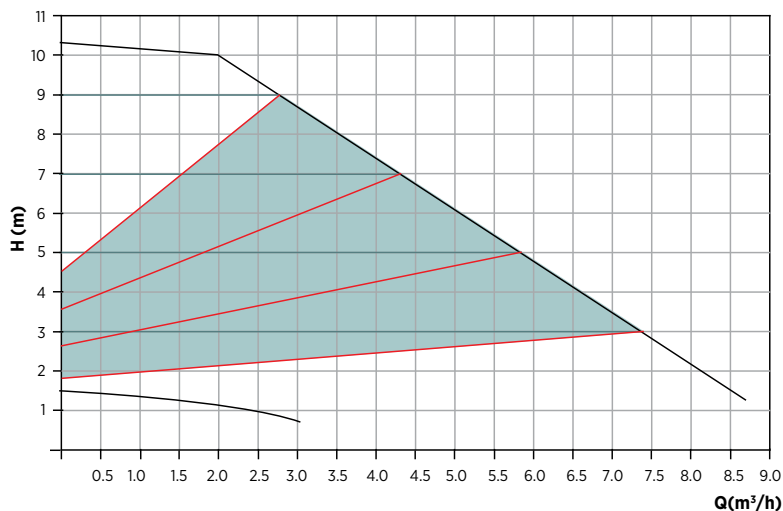


Dimensions

G	: 2"
L	: 180
L1	: 90
B	: 130
B1	: 65
H	: 196
H1	: 142
H2	: 110,5
Net Weight	: 3.5 kg

FREQUENCY CONTROLLED CIRCULATING PUMP ECP 32-10-180 BRONZE SERIES

Performance Curve



Note: 1 (one) coupling connector kit is supplied in the package.

Fluid Temperature : From -10°C to +110°C

Fluid Quality : Suitable for use with clean, abrasive solid particle free, mild and chemically neutral water.

Material Specifications

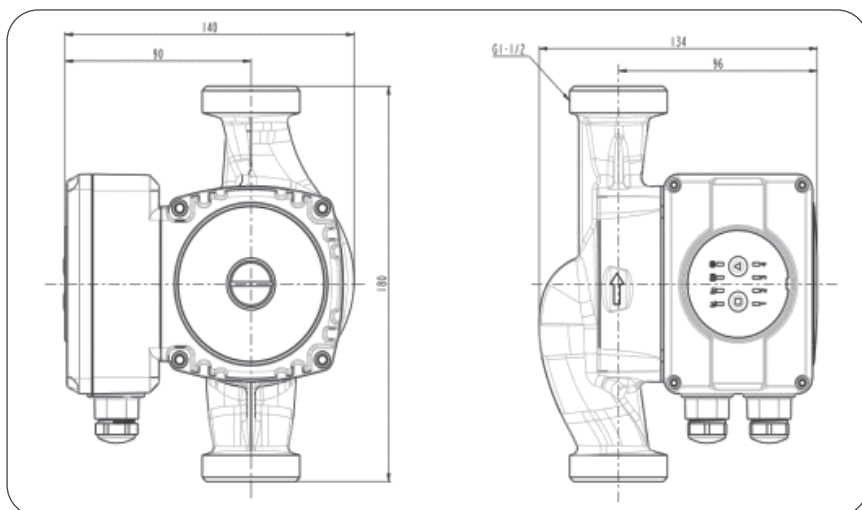
Bearing	: Ceramic
Bearing Bush	: Brass
Motor Casing	: Aluminum
Gasket	: Silicagel EPDM
Pump Casing	: Bronze
Fan (Impeller)	: High temperature resistant composite material
Stainless Case	: AISI304
Protective Shield	: AISI304
Shaft	: Ceramic
Control Box	: Nylon + ABS

Pump Properties

Distance Between Couplings	: 180 mm
Electrical Connection	: Plug
Energy Efficiency (EEI) Value	: <= 0,23
Nominal Pressure	: PN 10
Pipe Connection	: Threaded Connection / G1 1/2-Rp1

Electrical Properties

Rated Power Input	: 140 watt
Current Rating	: 0.98A
Electrical Supply	: 230 V - 50 Hz Single-phase
Protection Class	: IP 44
Noise Levels	: <= 45 dB(A)



Dimensions

B1	: 140 mm
B2	: 90 mm
H1	: 134 mm
H2	: 96 mm
L1	: 180 mm
L2	: 90 mm
G	: G1 1/2"
Net Weight	: 2.3 kg



Product Service

Attestation of Conformity

No. M8A 108819 0009 Rev. 00

**Holder of Attestation: ALP POMPA TEKNOLOJILERI
TICARET SANAYI A.S.**

Dudullu OSB 2.Cadde No:14
34775 Umraniye Istanbul
TÜRKIYE

**Product: Circulation pump
Circulating pump**

This Attestation of Conformity is issued on a voluntary basis according to Council Directive 2006/42/EC relating to machinery. It confirms that the listed equipment (not Annex IV equipment) complies with the principal protection requirements of the directive and is based on the technical specifications applicable at the time of issuance. It refers only to the particular sample submitted for conformity assessment. For details see: www.tuvsud.com/ps-cert

Test report no.: 874012337301-00

Date, 2023-09-06

(Bin Chen)

Page 1 of 4

This Attestation does not replace the regulatory EU Declaration of Conformity (DoC) and does not allow for CE marking. After preparation of the necessary documentation and establishing compliance to requirements of all applicable directives, the manufacturer may sign a DoC and apply the CE marking. The DoC is issued under the sole responsibility of the manufacturer.



TÜV SÜD Product Service GmbH • Ridlerstraße 65 • 80339 Munich • Germany



Product Service

Attestation of Conformity

No. M8A 108819 0009 Rev. 00

Model(s): ECP25-10-180, ECP25-10-180U, ECP25-12-180, ECP25-12-180N, ECP25-12-180U, ECP32-10-180, ECP32-10-180U, ECP32-12-180, ECP32-12-180N, ECP32-12-180U, ECP25-6-130, ECP25-6-180, ECP25-6-180U, ECP25-8-180, ECP20-4-130, ECP20-6-130, ECP25-4-130, ECP25-5-130, ECP25-4-180, ECP25-5-180, ECP32-4-180, ECP32-6-180, ECP25-8-180M, ECP25-9-180M, ECP32-8-180, ECP20-4-130U, ECP20-6-130U, ECP25-4-130U, ECP25-5-130U, ECP25-6-130U, ECP25-4-180U, ECP25-5-180U, ECP32-8-180U, ECP12/1.2, ECP32-4-220F, ECP32-6-220F, ECP32-8-220F, ECP32-10-220F, ECP25-4-180N, ECP25-6-180N, ECP25-8-180N, ECP25-10-180N, ECP32-4-180N, ECP32-6-180N, ECP32-8-180N, ECP32-10-180N, ECP32-4-220FN, ECP32-6-220FN, ECP32-8-220FN, ECP32-10-220FN

Parameters:

Rated voltage:	230V~
Rated frequency:	50/60Hz
Rated input power:	See below table for details
Rated current:	See below table for details
Protection class:	I
Degree of protection:	IPX4
Temperature classification:	Tf95

Page 2 of 4

This Attestation does not replace the regulatory EU Declaration of Conformity (DoC) and does not allow for CE marking. After preparation of the necessary documentation and establishing compliance to requirements of all applicable directives, the manufacturer may sign a DoC and apply the CE marking. The DoC is issued under the sole responsibility of the manufacturer.





Product Service

Attestation of Conformity

No. M8A 108819 0009 Rev. 00

Model name	Rated power input	Rated current
ECP25-10-180	140	0,98
ECP25-10-180U	140	0,98
ECP25-12-180	220	0,86
ECP25-12-180N	220	0,86
ECP25-12-180U	220	0,86
ECP32-10-180	140	0,98
ECP32-10-180U	140	0,98
ECP32-12-180	220	0,84
ECP32-12-180N	220	0,84
ECP32-12-180U	220	0,84
ECP25-6-130	45	0,38
ECP25-6-180	45	0,38
ECP25-6-180U	45	0,38
ECP25-8-180	150	0,58
ECP20-4-130	22	0,19
ECP20-6-130	45	0,38
ECP25-4-130	22	0,19
ECP25-5-130	30	0,26
ECP25-4-180	22	0,19
ECP25-5-180	30	0,26
ECP32-4-180	22	0,19
ECP32-6-180	45	0,38
ECP25-8-180M	62	1,05
ECP25-9-180M	90	1,05
ECP32-8-180	130	1,35
ECP20-4-130U	22	0,19
ECP20-6-130U	45	0,38

Page 3 of 4

This Attestation does not replace the regulatory EU Declaration of Conformity (DoC) and does not allow for CE marking. After preparation of the necessary documentation and establishing compliance to requirements of all applicable directives, the manufacturer may sign a DoC and apply the CE marking. The DoC is issued under the sole responsibility of the manufacturer.



TÜV SÜD Product Service GmbH • Ridlerstraße 65 • 80339 Munich • Germany

ATTESTATION

ATTESTATO

ATESTACIÓN

BESCHEINIGUNG

ATTESTATION



Product Service

Attestation of Conformity

No. M8A 108819 0009 Rev. 00

ECP25-4-130U	22	0,19
ECP25-5-130U	30	0,26
ECP25-6-130U	45	0,38
ECP25-4-180U	22	0,19
ECP25-5-180U	30	0,26
ECP32-8-180U	130	1,35
ECP12/1.2	9	0,04
ECP32-4-220F	78	0,30
ECP32-6-220F	120	0,46
ECP32-8-220F	168	0,65
ECP32-10-220F	200	0,79
ECP25-4-180N	60	0,23
ECP25-6-180N	105	0,41
ECP25-8-180N	150	0,58
ECP25-10-180N	200	0,78
ECP32-4-180N	78	0,3
ECP32-6-180N	120	0,46
ECP32-8-180N	168	0,65
ECP32-10-180N	200	0,76
ECP32-4-220FN	78	0,3
ECP32-6-220FN	120	0,46
ECP32-8-220FN	168	0,65
ECP32-10-220FN	200	0,79

**Tested
according to:**

EN 60335-2-51:2003/A2:2012
EN 60335-1:2012/A15:2021
EN 62233:2008

Page 4 of 4

This Attestation does not replace the regulatory EU Declaration of Conformity (DoC) and does not allow for CE marking. After preparation of the necessary documentation and establishing compliance to requirements of all applicable directives, the manufacturer may sign a DoC and apply the CE marking. The DoC is issued under the sole responsibility of the manufacturer.



TÜV SÜD Product Service GmbH • Ridlerstraße 65 • 80339 Munich • Germany



Dudullu Organize Sanayi Bölgesi 2. Cadde No: 14
34775 Ümraniye İstanbul / Turkey
Tel : +90 216 561 47 74 (Pbx) • Fax : +90 216 561 47 50
www.etna.com.tr/en • info@etna.com.tr



ETNA®

0850 455 38 62
customer service